

DATA SHEET SWING PATIS 1 ROBINIA

Text for invitation to tender | Item No: 512012601

MATERIALS | SCOPE OF SUPPLY

swing, mounted on-location, fixation of the chains and swing bar necessary

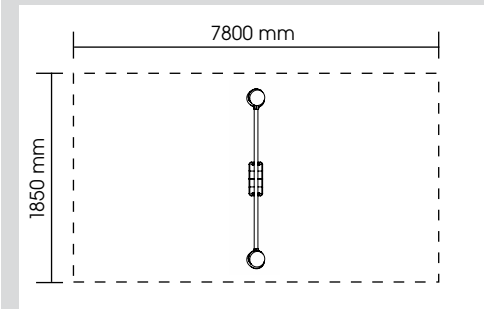
swing bar:	stainless steel, V2A
posts:	robinia, 2 pieces with pedestal made of stainless steel, 2 pieces
chains:	stainless steel, 1,80 m
swing seat:	caoutchouc with steel inlay, 1 piece

TECHNIAL INFORMATION

Dimensions:

Main dimension:	2270 x 200 mm
Height:	2660 mm
Weight:	150 kg
capacity:	acc. to normative require- ments

Max. fall height:	1400 mm
Safety surfacing area:	14,45 m ²
Required safety slabs:	16,00 m ²
Recommended surface material:	sand, wood chip, gravel, synth. impact protection



INSTALLATION

Foundations: 2

Installation at concrete surfaces possible
(special edition)

Installation according to our detailed mounting
instructions, see www.stilum.com

