

# DATA SHEET SEESAW FOR TODDLERS FELIX

Text for invitation to tender | Item No: 512516401

## MATERIALS | SCOPE OF SUPPLY

Seesaw, pre-mounted

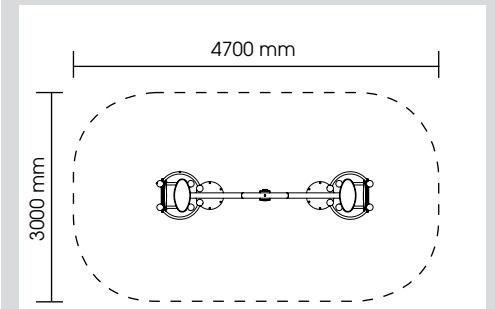
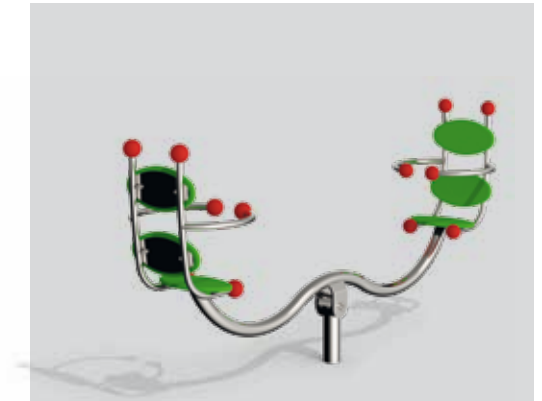
tubular frame:	stainless steel, V2A
seats:	soft vulcanized cautchouc, 2 pcs
handles:	stainless steel, V2A, 4 pcs
Tube end caps:	balls made of soft vulcanized cautchouc, 12 pcs
foundation plate:	steel,coated, 1 piece

## TECHNIAL INFORMATION

Dimensions:

Main dimension:	1960 x 430 mm
Height:	1115 mm
Weight:	55 kg
capacity:	acc. to normative requirements

Max. fall height:	750 mm
Safer surfacing area:	16,45 m <sup>2</sup>
Required safety slabs:	17,50 m <sup>2</sup>
Recommended surface material:	grass, synth. impact protection



## INSTALLATION

Foundations: 1 plus foundations for seesaw softeners

Installation at concrete surfaces possible (special edition)

Seesaw softeners must be built in

Installation according to our detailed mounting instructions, see [www.stilum.com](http://www.stilum.com)

